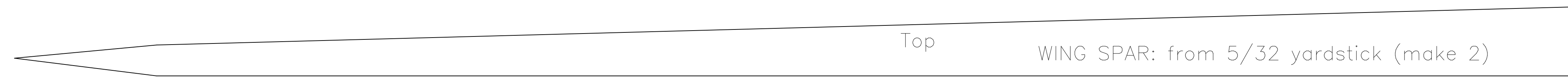
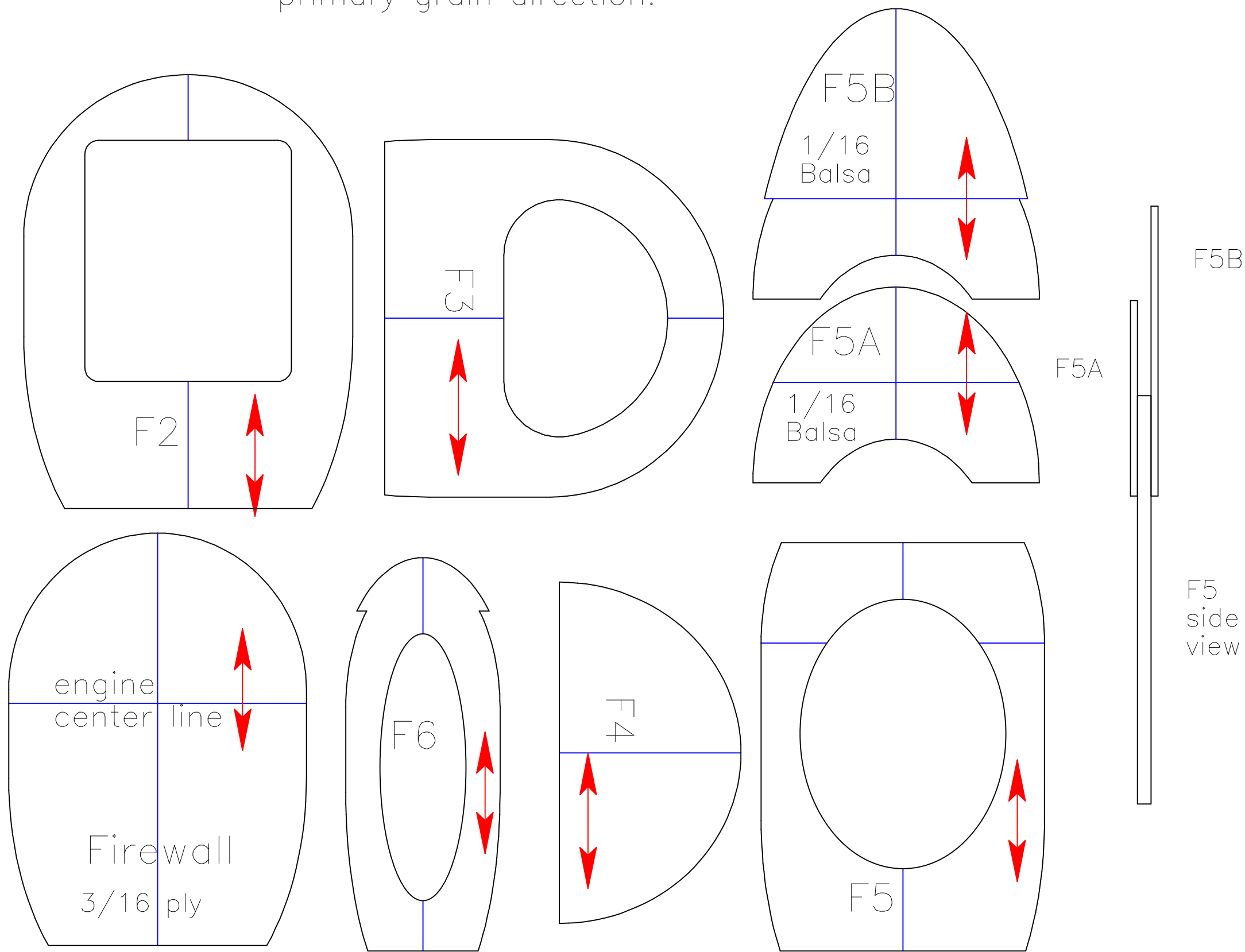


WING SPAR

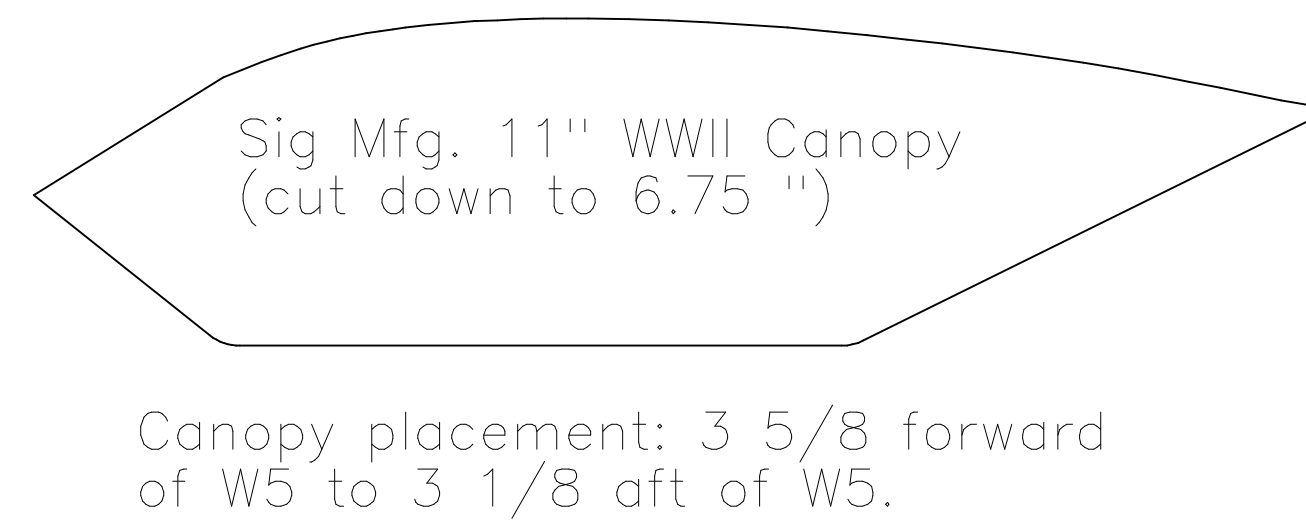


FUSELAGE FORMERS

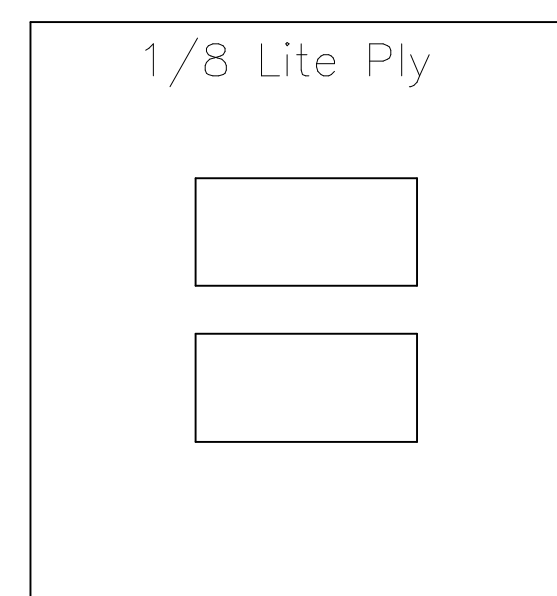
Except where noted, all formers are 1/8 lite ply. Arrows indicate primary grain direction.



CANOPY DETAIL

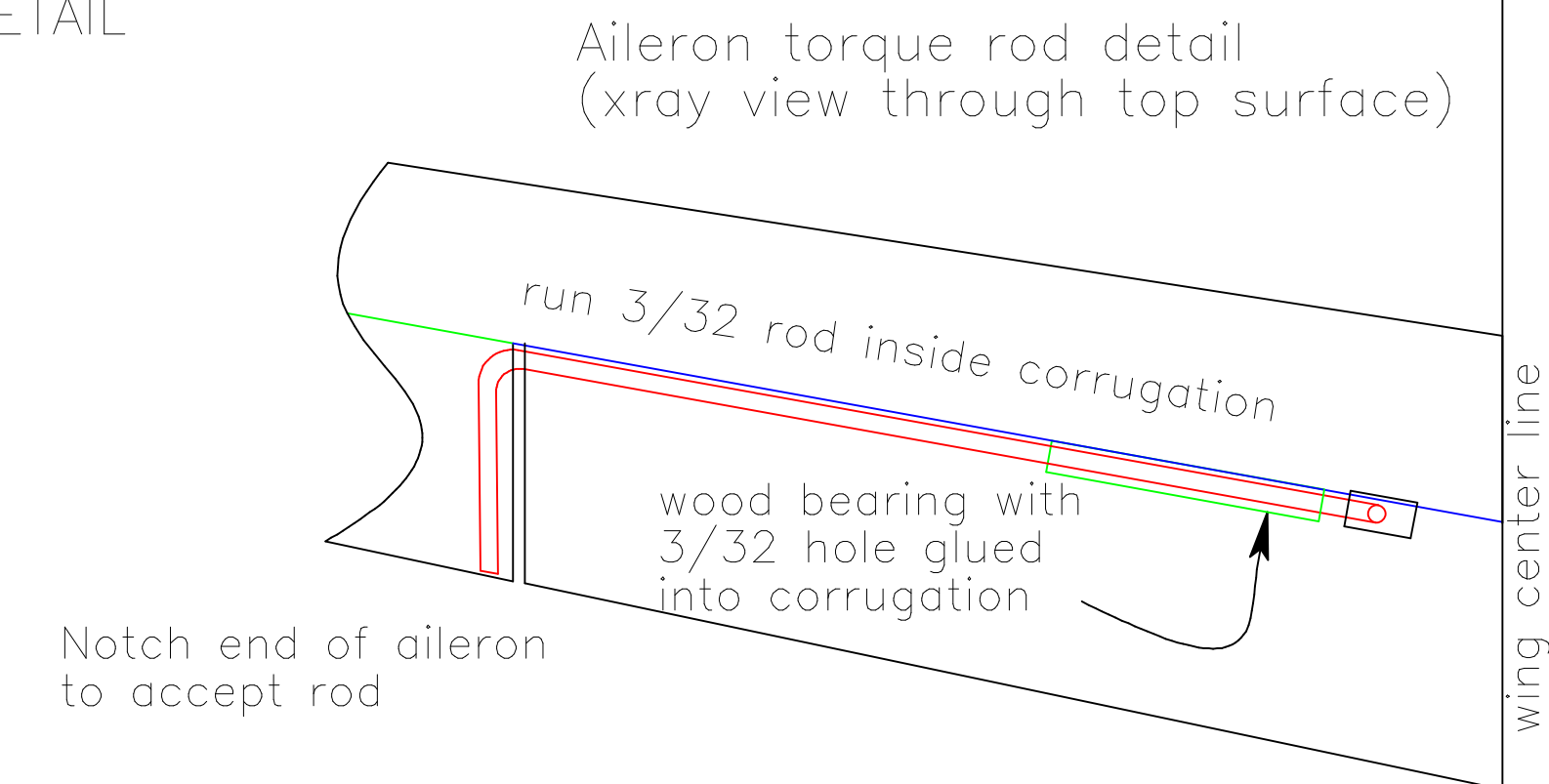


SERVO TRAY

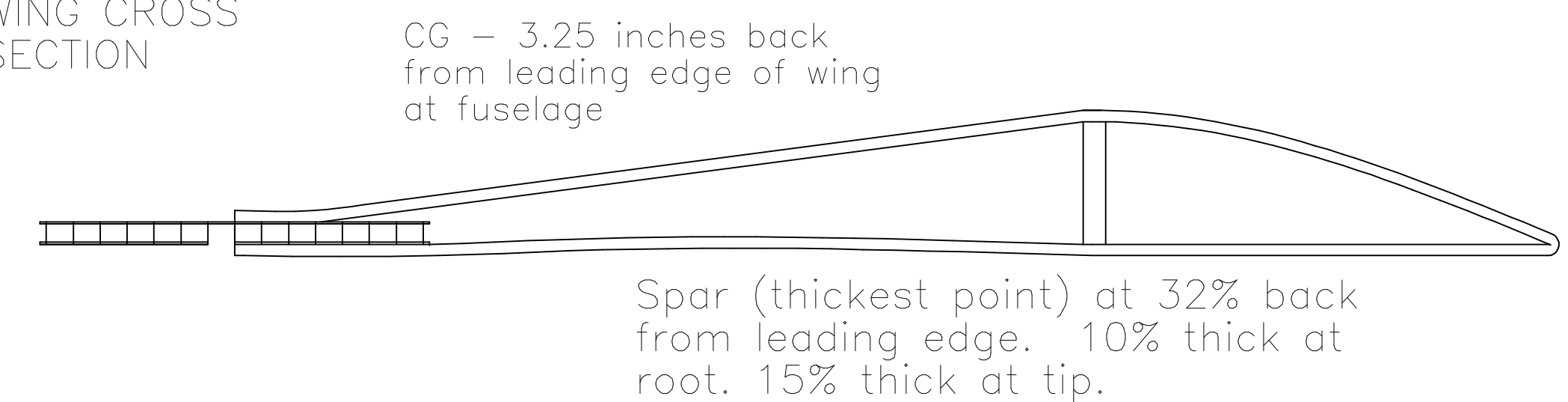


Position between F3 and F4 (glue 3/16 sq. scrap balsa rails to F3 & F4 to support tray)

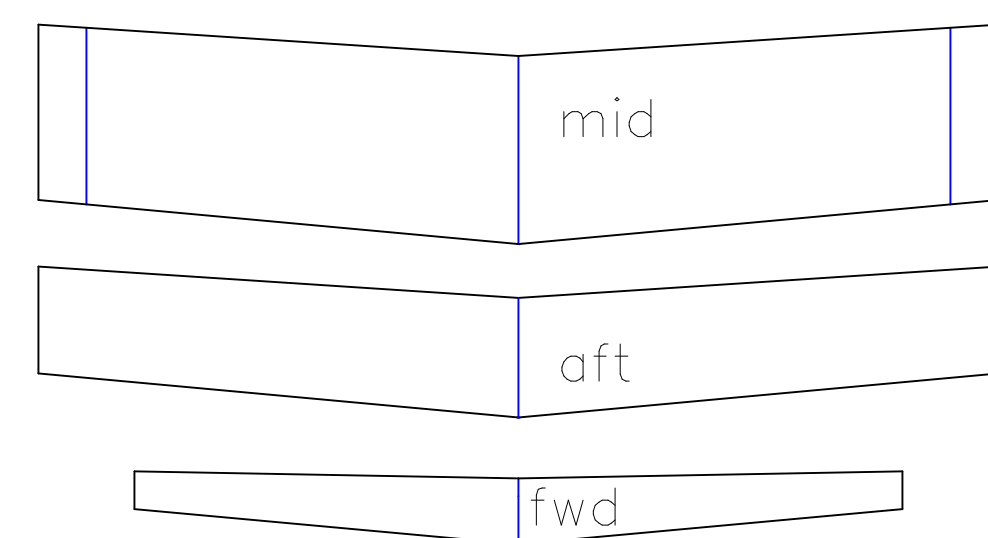
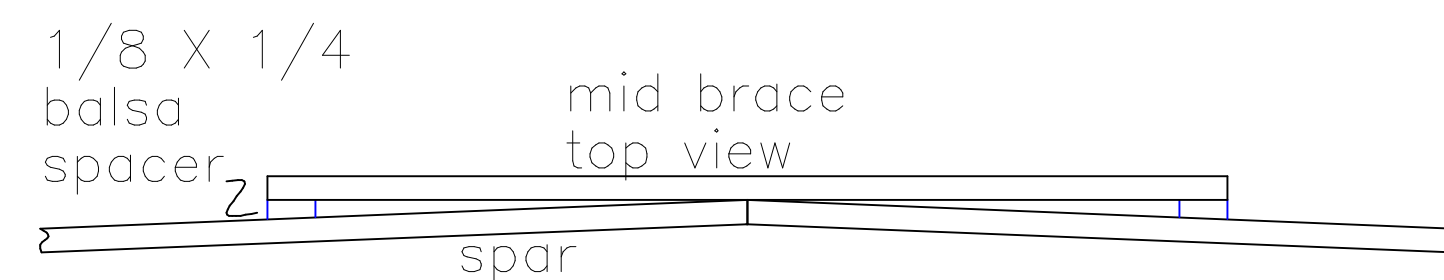
TORQUE ROD DETAIL



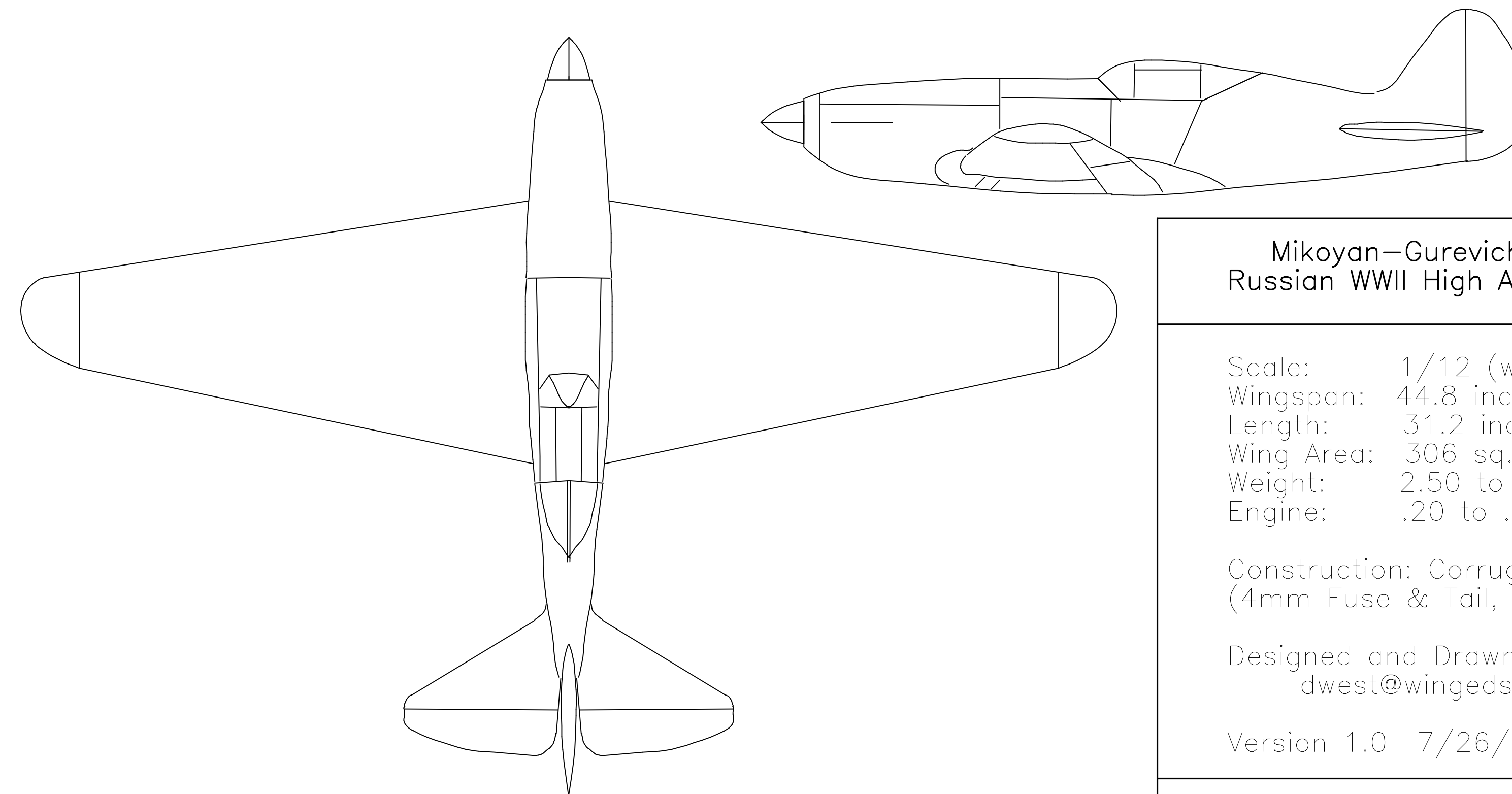
WING CROSS SECTION



WING DIHEDRAL BRACES



Dihedral Braces 1/8 hard ply (4.5 deg per side)



Mikoyan-Gurevich MiG-7
Russian WWII High Altitude Fighter

Scale: 1/12 (wing enlarged 5%)
Wingspan: 44.8 inches
Length: 31.2 inches
Wing Area: 306 sq. inches
Weight: 2.50 to 2.75 lbs.
Engine: .20 to .26 cu. in.

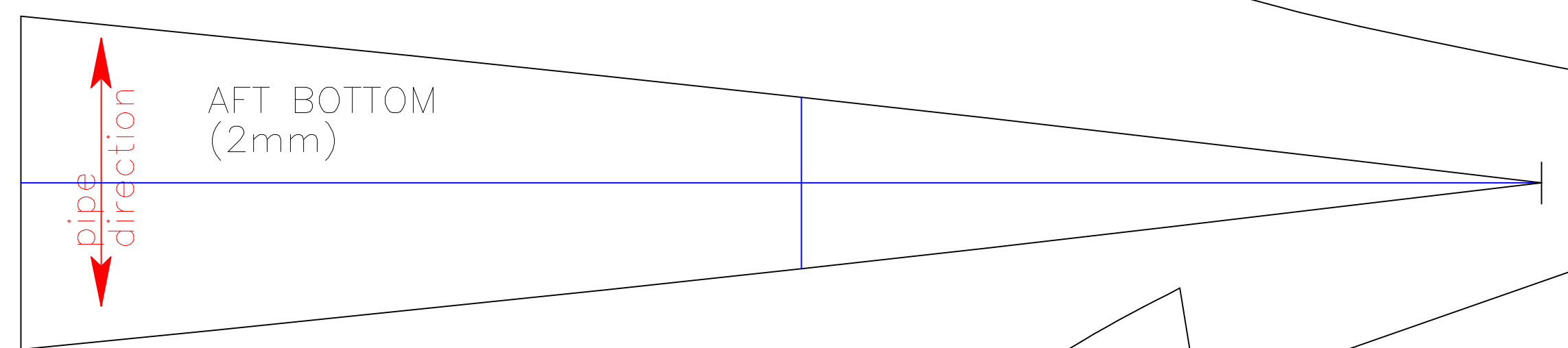
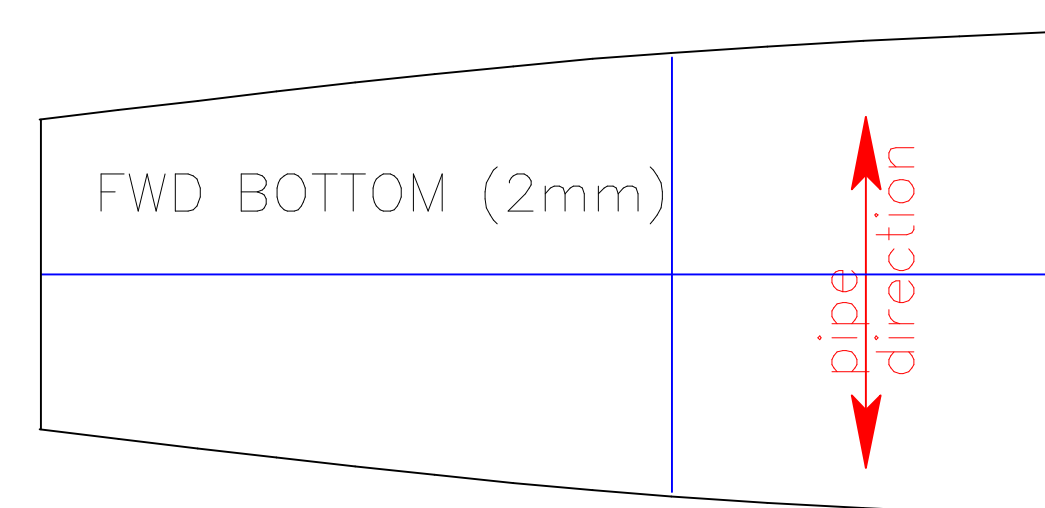
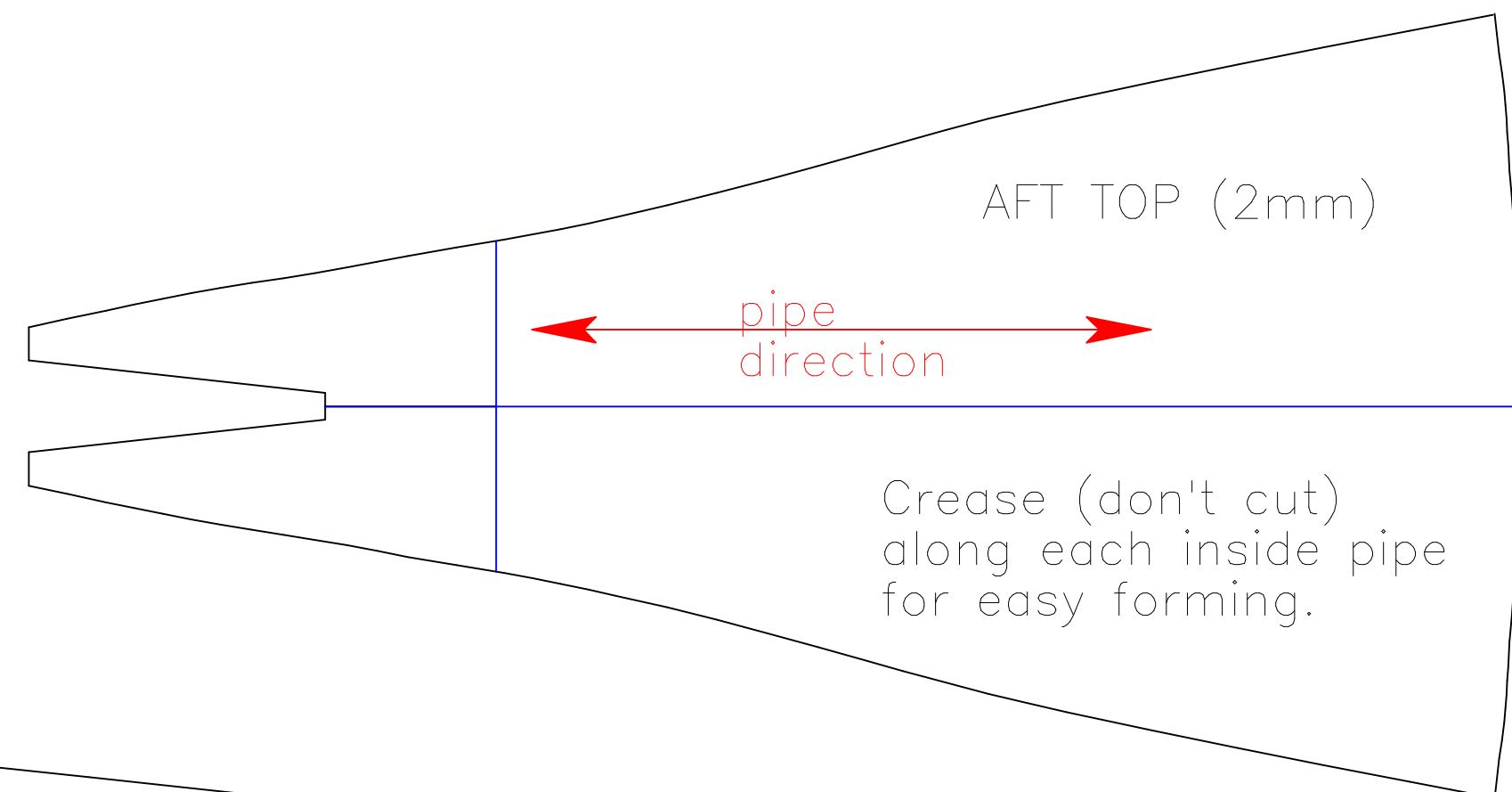
Construction: Corrugated Plastic
(4mm Fuse & Tail, 2mm Wing)

Designed and Drawn by David West
dwest@wingedshadow.com

Version 1.0 7/26/00 Sheet 1 of 3

Copyright (c) 2000 David A. West
Commercial Rights Reserved

2 mm PARTS



WING TEMPLATE (2mm)

This template is for the LEFT wing. Flip template over (text side down) for RIGHT wing outline.

